

Data sheet

Thermostatic mixing valve

TVM-H

Description



TVM-H limits and maintains constant level of mixing temperature in heating applications. The thermostatic mixing valve ensures a constant temperature of the mixed water at the outlet.

Advantages

- Constant temperature of the water at the outlet
- Variable setting of the nominal temperature range: 30 ... 70 °C
- Special design with anti-scalding coating
- System components: accessories and spare parts

Standard design

A thermostatic cartridge and a return spring ensure the constant blend temperature at the outlet.

Thanks to the design of the mixing valve, the thermostatic cartridge can be easily replaced in the installed valve if the performance decreases, which occurs due to normal wear and tear.

Ordering

DN	G	Temperature range (°C)	E ¹⁾ (l/min)	k _{v51} ²⁾	k _{v52} ³⁾	Code No.
TVM-H 20	1"	30 ... 70	39	1.9	1.65	003Z1120
TVM-H 25	1¼"	30 ... 70	61	3.0	2.6	003Z1127

¹⁾ E = extracted (outlet) quantity at $\Delta p = 1.5$ bar

²⁾ k_{v51} = without check valve

³⁾ k_{v52} = with check valve

Accessories and spare parts

Typew	Max. pressure (bar)	Max. temperature (°C)	Code No.
Non-return valve DN 20	10	95	003Z3130
Non-return valve DN 25	10	95	003Z3131
Thermostatic element			003Z3132
Fitting set DN 20			003Z3134
Fitting set DN 25			003Z3135

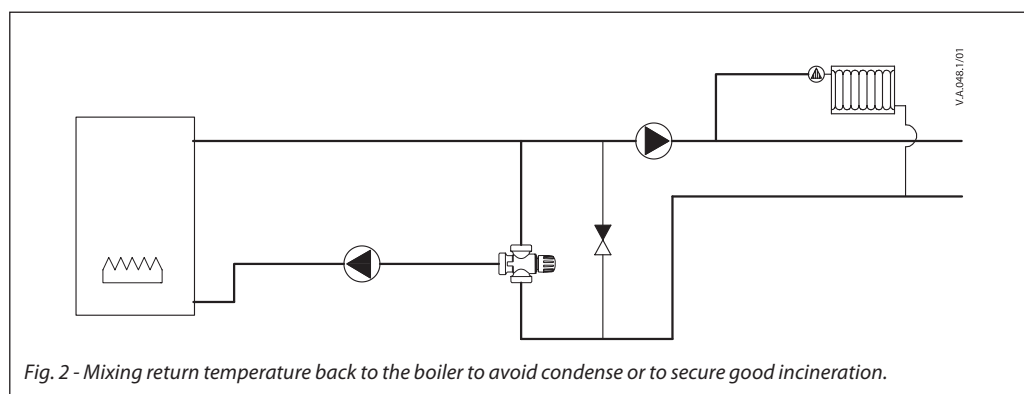
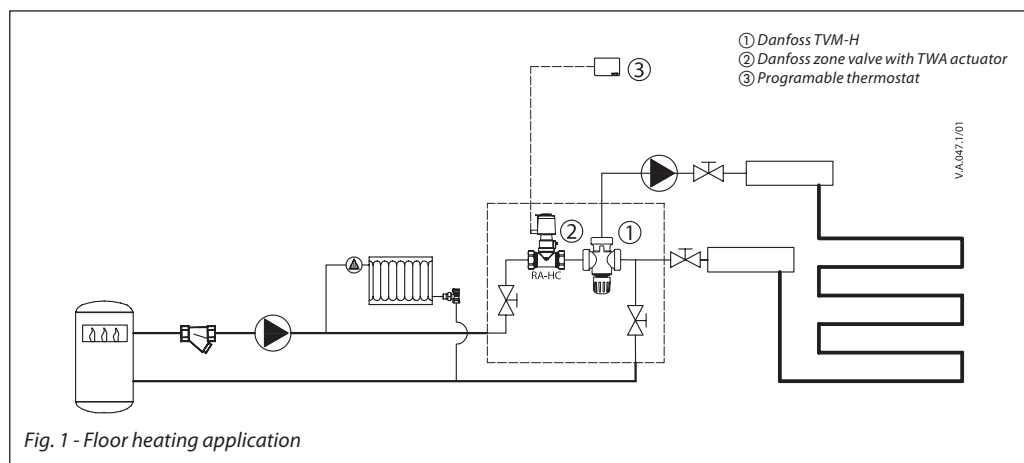
Technical data

Factory temperature pressetting		70
Cold water supply temperature		10
Hot water supply temperature	°C	70
Temperature stability (depend on pressure and temperature)		± 3
Max. hot water operating temperature		100
Supply pressure, static (max.)	bar	10
Supply pressure, dynamic (max.)		5
Constant inlet pressure differential ¹⁾		2
Max. pressure loss ratio		10:1
Materials		
Body	DZR + antilimescale treatment	
Plastic cap	Polystyrene	
Spring	SS steel 1.4301 (inoxidable)	
Sealing	EPDM	

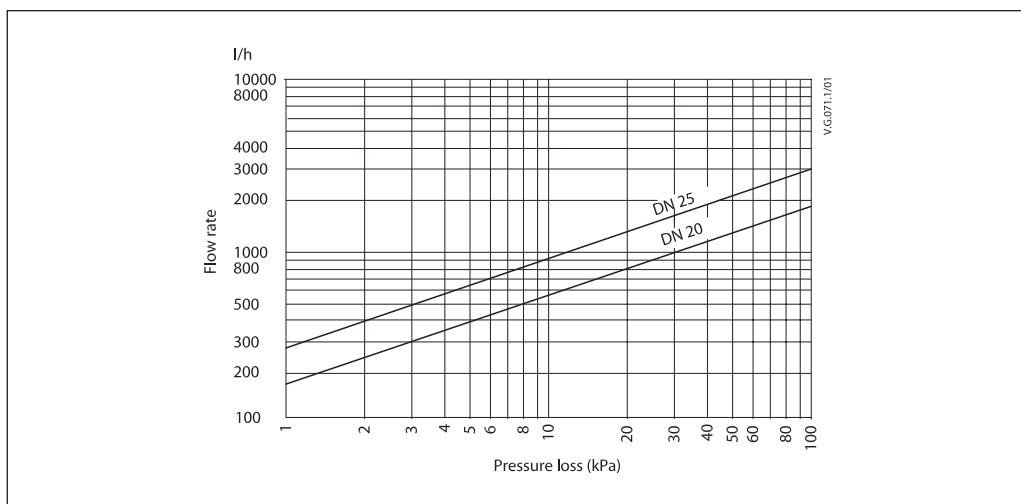
¹⁾ Between cold and warm inlets

Application

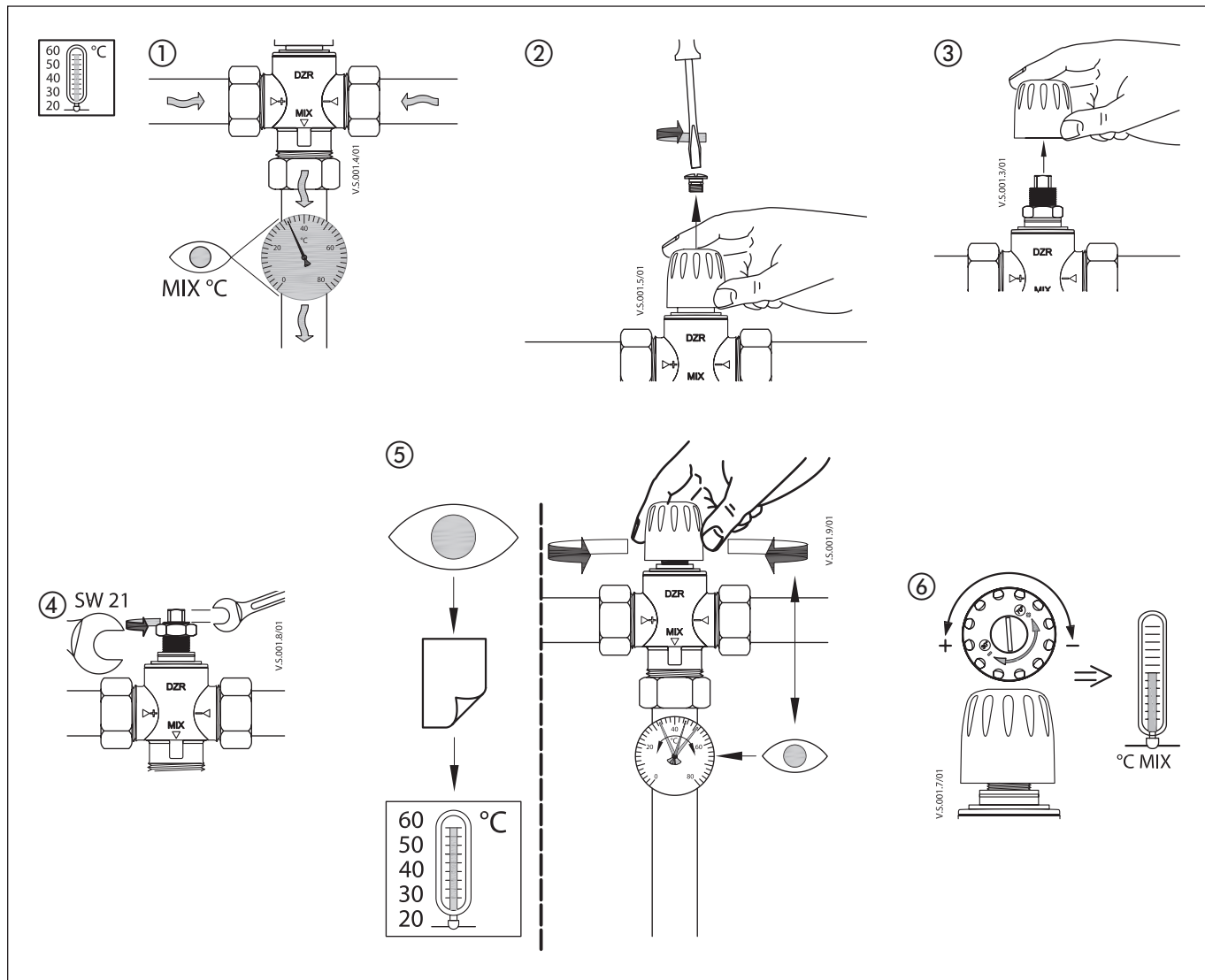
Note for fig. 1:
 Danfoss PACK solution consists of thermostatic mixing valve TVM-H, motorised valve and programable thermostat.
 This solution gives excellent temperature control for the under floor heating system up 200 m² (TVM-H DN 25).



Pressure diagram



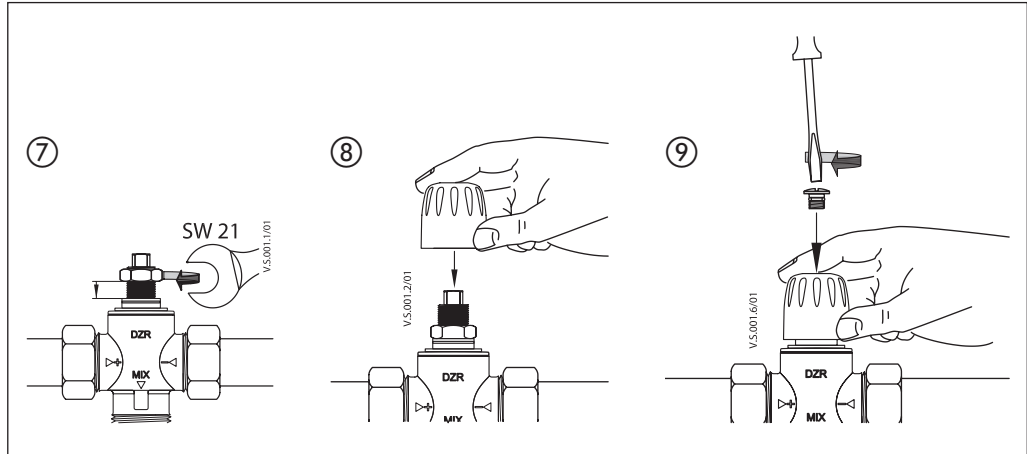
Locking the presetting



Data sheet

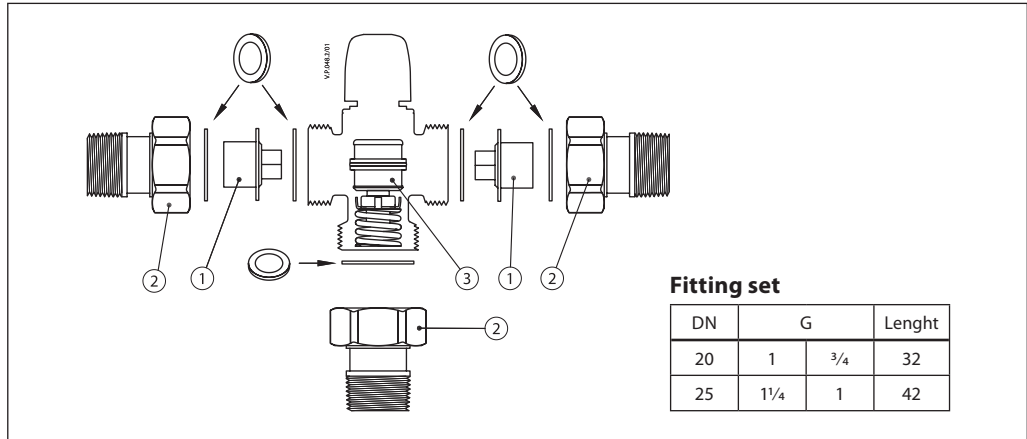
Thermostatic mixing valve TVM-H

Locking the presetting
(continuous)



Spare parts

- 1. Non-return valve
- 2. Fitting set
- 3. Thermostatic element



Dimensions

